

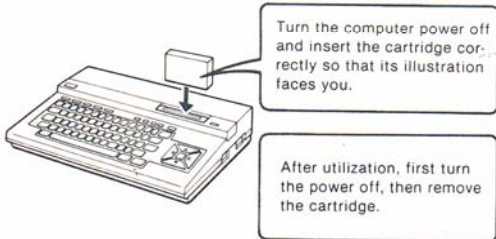
HBM-64

SERVICE MANUAL

Before utilizing the cartridge, please read this instructions thoroughly.

The HBM-64 64K byte RAM cartridge is used to expand the memory area of an MSX computer.

CARTRIDGE INSERTION



ADDRESS ASSIGNMENT FOR RAM AREA TO BE EXPANDED

The HBM-64 64K byte RAM is assigned to memory addresses from 0000H to FFFFH.

Notes

- When an MSX personal computer has 64K bytes of RAM, the BASIC user area or MSX-DOS program area cannot be expanded with the HBM-64.
- When an MSX personal computer has 32K bytes of RAM, the BASIC user area cannot be expanded but the MSX-DOS program can be used.
- Utilize the HBM-64 with software that controls the switching of the computer RAM and the HBM-64.

PRECAUTIONS

Power supply

Always turn the computer power supply off when inserting or removing a cartridge.

Cartridge handling

- Do not spill liquid on a cartridge, or do not insert or stick your fingers in the cartridge space.
- Do not cause an impact to a cartridge such as dropping or hitting it against something.
- Do not disassemble a cartridge.

Storage locations

Do not store a cartridge in the following places.

- A place with direct sunshine.
- Near a heater.
- A place with high humidity.
- Inside a car with the windows closed (especially in the summer time) since the temperature sometimes exceeds 100°C depending on the season which causes trouble or warps it.
- A dusty place.

EXPANSION MEMORY CARTRIDGE
SONY®

SERVICE INFORMATION

Using HBM-64 Check ROM

1. Setup

- (1) Connect the HB-55P to the monitor and printer.
- (2) Remove the upper cabinet of the HB-55P.
- (3) Remove the firmware IC (IC44) from the main board of HB-55P.
- (4) When the firmware IC uses a mask ROM, connect an EPROM jumper (JW6) to the board.
- (5) Mount the check ROM (J-6206-100-A).

2. Test

- (1) Insert the testing HBM-64 in the MSX slot of the HB-55P.
- (2) Power on the HB-55P, monitor, and printer.
- (3) The following menu is displayed on the monitor:

```
*****
```

```
HBM-64 CHECK PROGRAM Ver 1.0
```

```
*****
```

```
PRINTER OFF
```

```
Wait time = 05sec
```

```
Max Pass count = ENDLESS
```

```
Select slot number [1~3] ?
```

- a) When the P key on keyboard is pressed, the printer is turned on. To output the monitor display onto the printer, turn the printer on.

Note:

If the P key is pressed with no printer connected, the check operation does not occur.

- b) Set the wait time by operating the cursor key UP/DOWN. The shorter the wait time, the sooner will the check operation be completed.
- c) Set the maximum pass count by operating the cursor key LEFT/RIGHT. This operation determines how many times the test is to be performed.
- d) Set the select slot number by a numeric key.
Cartridge slot A Set to 1.
Cartridge slot B Set to 3.

- (4) When the slot number is specified, the check operation gets started. The data is output to both monitor and printer at the same time.

- (5) When the following is displayed on the monitor, it indicates the termination of the check operation:

```
HBM-64 Memory check start !!  
..... Check slot 1
```

```
Pass 0001 Start !  
Total error 0000
```

```
***** HBM - 64 CHECK END *****
```

```
Total error 0000
```

- (6) If a data error is encountered in a check operation, the affected address and data are displayed. Correct the failing location accordingly.

- (7) The following is the display to be given if slot 3 is selected while the HBM-64 is inserted in slot A:

```
HBM-64 Memory check start !!  
..... Check slot 3
```

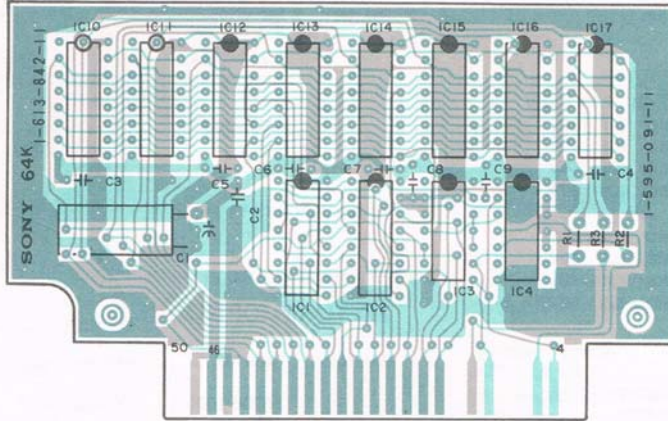
```
Pass 0001 Start !  
MEMORY ERROR !! error count 0001  
at 0000H DATA 10101010 -> 11111111  
MEMORY ERROR !! error count 0002  
at 0001H DATA 10101010 -> 11111111  
MEMORY ERROR !! error count 0003  
at 0002H DATA 10101010 -> 11111111  
MEMORY ERROR !! error count 0004  
at 0003H DATA 10101010 -> 11111111  
MEMORY ERROR !! error count 0005  
at 0004H DATA 10101010 -> 11111111
```

```
Continued
```

3. Termination

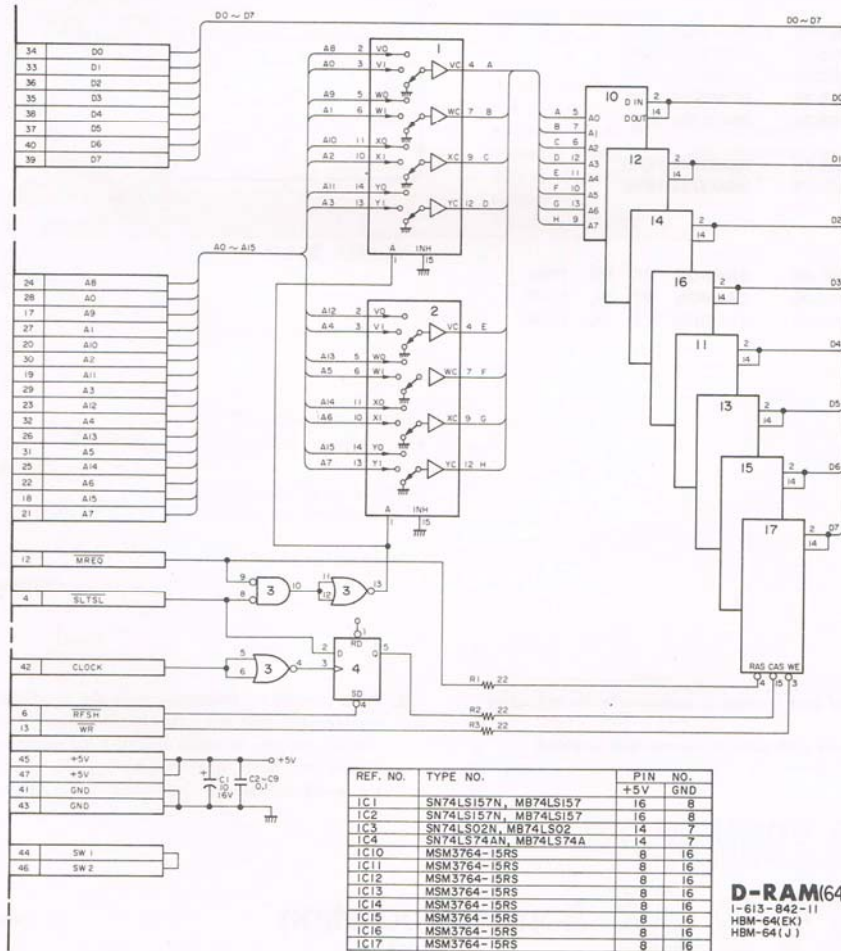
- (1) When the test has been completed, remove the EPROM jumper (JW6) from the board.
- (2) Remove the check ROM and connect the firmware IC.

PRINTED CIRCUIT BOARD



D-RAM
COMPONENT SIDE
1-613-842-11
HBM-64(EK)
HBM-64(J)

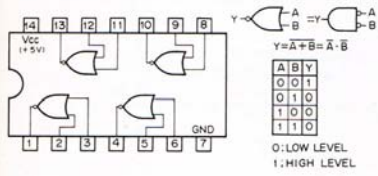
SCHEMATIC DIAGRAM



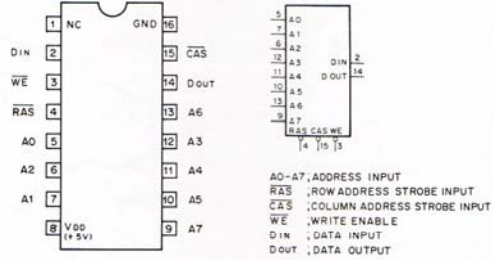
D-RAM(64K)
1-613-842-11
HBM-64(EK)
HBM-64(J)

SEMICONDUCTOR PIN ASSIGNMENTS

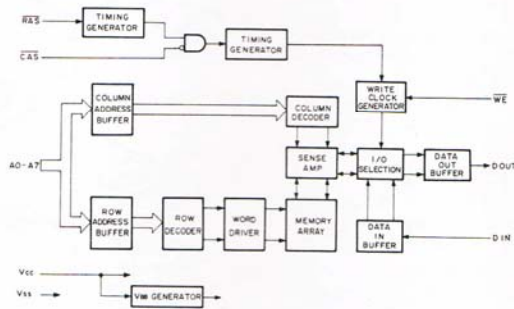
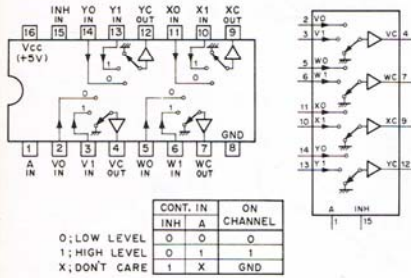
HD74LS02P (HITACHI)
 MB74LS02 (FUJITSU)
 SN74LS02N (TI)
 TTL 2-INPUT POSITIVE-NOR GATE
 — TOP VIEW —



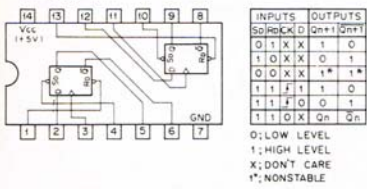
MSM3764-15RS (OKI) (ACCESS TIME = 150 nS)
 N-MOS 65.536-WORD BY 1-BIT DYNAMIC RAM
 — TOP VIEW —



HD74LS157P (HITACHI)
 MB74LS157 (FUJITSU)
 SN74LS157N (TI)
 TTL 2-LINE-TO-1-LINE DATA SELECTOR/MULTIPLEXER
 — TOP VIEW —

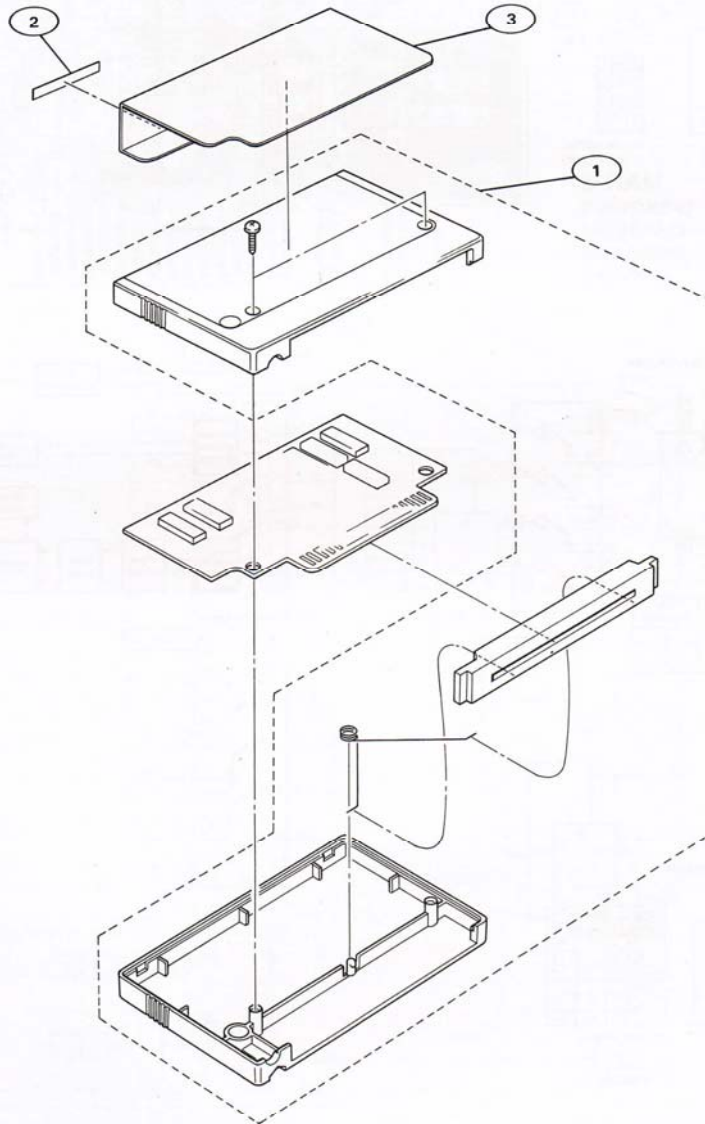


HD74LS74AP (HITACHI)
 MB74LS74A (FUJITSU)
 SN74LS74AN (TI)
 TTL D-TYPE FLIP FLOP WITH DIRECT SET/RESET
 — TOP VIEW —



EXPLODED VIEW

No.	Parts No.	Description
1	A-8000-215-A	CARTRIDGE ASSY, MSX
2	3-701-690-01	LABEL (MADE IN JAPAN)
3	4-605-201-01	LABEL (64KB)



NOTE:

1. Parts printed in Bold-Face type are normally stocked for replacement purposes. The remaining parts shown in this manual are not normally required for routine service work. Orders for parts not shown in Bold-Face type will be processed, but allow for additional delivery time.
2. Item with no part number and/or no description are not stocked because they are seldom required for routine service.

ELECTRICAL PARTS LIST

Ref. No.	Parts No.	Description
D-RAM BOARD		
C1	1-123-356-00	ELECT 10 20% 50V
C2	1-162-179-11	CERAMIC 0.1 50V
C3	1-162-179-11	CERAMIC 0.1 50V
C4	1-162-179-11	CERAMIC 0.1 50V
C5	1-162-179-11	CERAMIC 0.1 50V
C6	1-162-179-11	CERAMIC 0.1 50V
C7	1-162-179-11	CERAMIC 0.1 50V
C8	1-162-179-11	CERAMIC 0.1 50V
C9	1-162-179-11	CERAMIC 0.1 50V
IC1	8-759-901-57	SN74LS157N
IC2	8-759-901-57	SN74LS157N
IC3	8-759-900-02	SN74LS02N
IC4	8-759-900-74	SN74LS74AN
IC10	8-759-905-75	MSM3764-15RS
IC11	8-759-905-75	MSM3764-15RS
IC12	8-759-905-75	MSM3764-15RS
IC13	8-759-905-75	MSM3764-15RS
IC14	8-759-905-75	MSM3764-15RS
IC15	8-759-905-75	MSM3764-15RS
IC16	8-759-905-75	MSM3764-15RS
IC17	8-759-905-75	MSM3764-15RS
R1	1-247-791-00	CARBON 22 5% 1/6W
R2	1-247-791-00	CARBON 22 5% 1/6W
R3	1-247-791-00	CARBON 22 5% 1/6W


PACKING MATERIAL

Ref. No.	Parts No.	Description
	3-773-921-11	MANUAL, INSTRUCTION
	4-604-478-01	INDIVIDUAL CARTON (INNER BOX)
	4-605-202-01	INDIVIDUAL CARTON (OUTER BOX)

FIXTURE (OPTIONAL)

Ref. No.	Parts No.	Description
	J-6206-100-A	CHECK ROM

NOTE:

1. The shaded and -marked components are critical to safety. Replace only with same components as specified.

2. Parts printed in **Bold-Face type** are normally stocked for replacement purposes. The remaining parts shown in this manual are not normally required for routine service work. Orders for parts not shown in **Bold-Face type** will be processed, but allow for additional delivery time.

HBM-64 (EK)
9-975-568-01

Sony Corporation
© 1984

Printed in Japan
1984. 10. 05