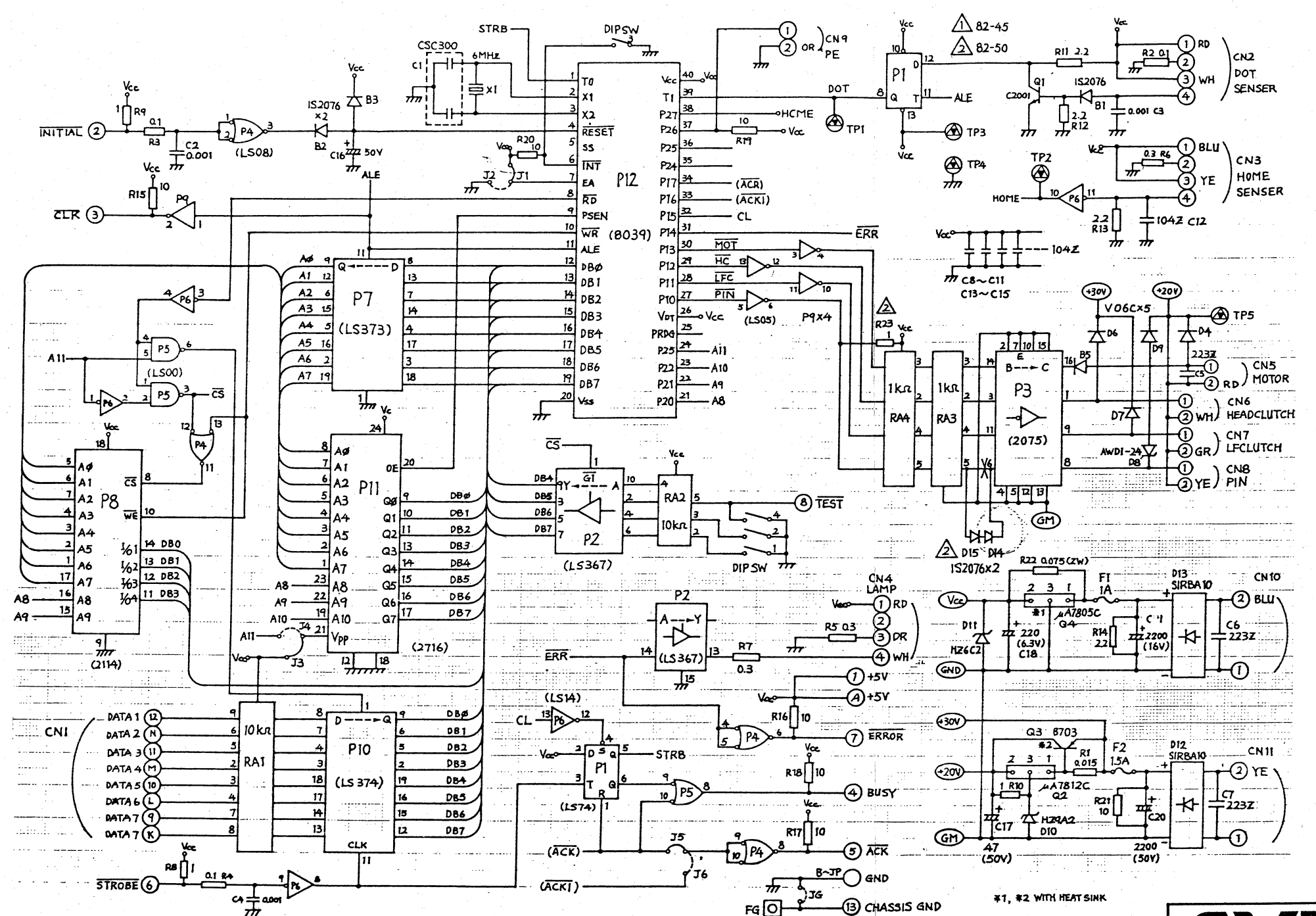


CONFIDENTIAL
THIS DOCUMENT CONTAINS
CONFIDENTIAL INFORMATION
WHICH IS THE EXCLUSIVE
PROPERTY OF SPECTRAVIDEO
INTERNATIONAL LIMITED

CONTROLLED ENGINEERING DOCUMENT THIS DOCUMENT CONTAINS CONFIDENTIAL INFORMATION WHICH IS THE EXCLUSIVE PROPERTY OF SPECTRAVIDEO INTERNATIONAL LTD.		
TITLE SVI-901 PRINTER BLOCK DIAGRAM	VERIFIED BY <u>VICKY YEUNG V.Y.</u> DATE <u>MARCH 1984</u>	
DOCUMENT NO STM-001-D	VERSION NO 1.0	SHEET OF 1

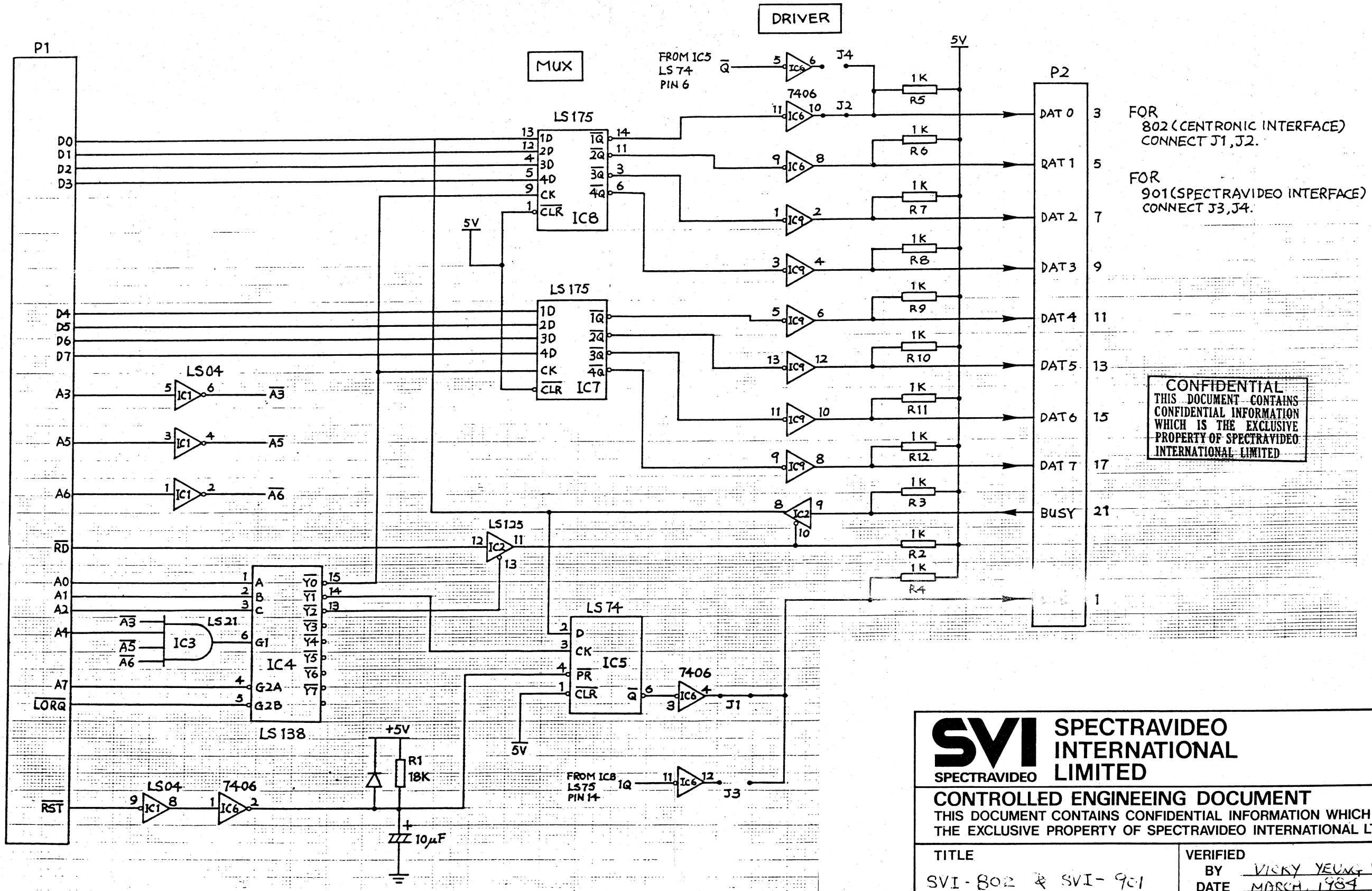


CONFIDENTIAL
 THIS DOCUMENT CONTAINS
 CONFIDENTIAL INFORMATION
 WHICH IS THE EXCLUSIVE
 PROPERTY OF SPECTRAVIDEO
 INTERNATIONAL LIMITED

SVI SPECTRAVIDEO
 INTERNATIONAL
 SPECTRAVIDEO LIMITED

CONTROLLED ENGINEERING DOCUMENT
 THIS DOCUMENT CONTAINS CONFIDENTIAL INFORMATION WHICH IS
 THE EXCLUSIVE PROPERTY OF SPECTRAVIDEO INTERNATIONAL LTD.

TITLE SVI-901 PRINTER	VERIFIED BY VICKY YEUNG V-4 DATE MARCH 1984
DOCUMENT NO STM-002-J	VERSION NO 1.0 SHEET OF 2



FOR
802 (CENTRONIC INTERFACE)
CONNECT J1, J2.

FOR
901 (SPECTRAVIDEO INTERFACE)
CONNECT J3, J4.

CONFIDENTIAL
THIS DOCUMENT CONTAINS
CONFIDENTIAL INFORMATION
WHICH IS THE EXCLUSIVE
PROPERTY OF SPECTRAVIDEO
INTERNATIONAL LIMITED

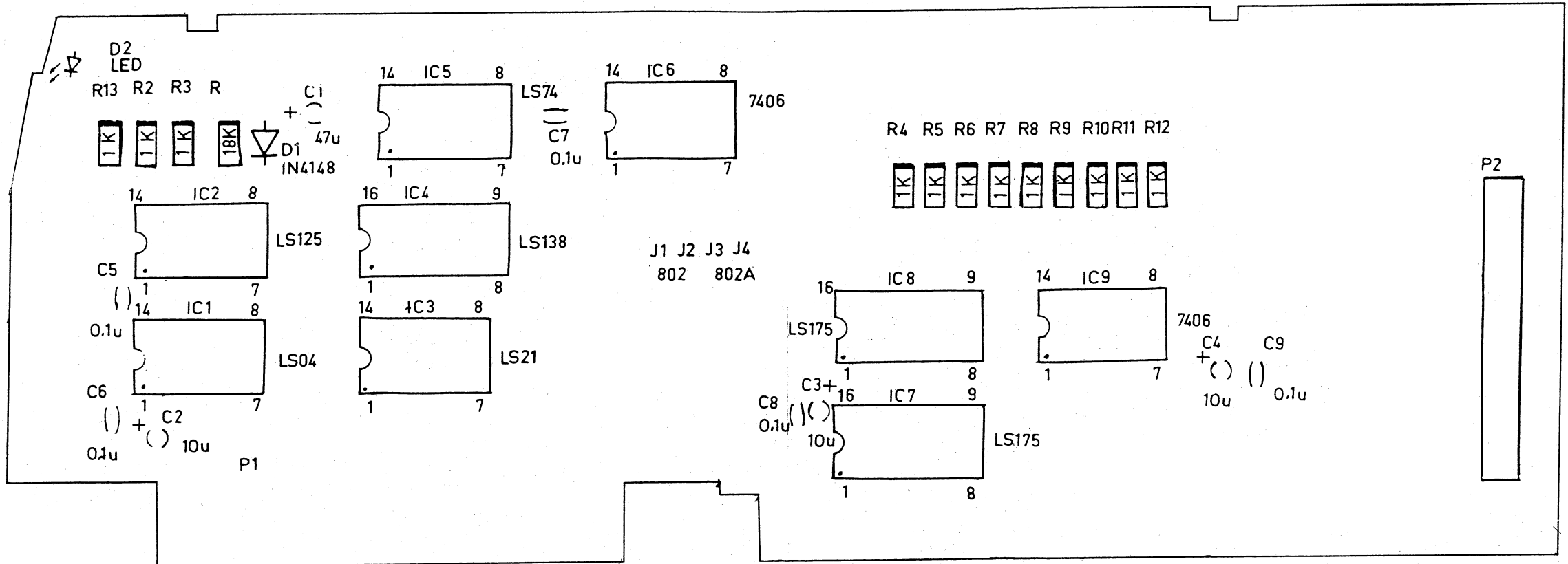
SVI SPECTRAVIDEO INTERNATIONAL LIMITED

CONTROLLED ENGINEERING DOCUMENT
THIS DOCUMENT CONTAINS CONFIDENTIAL INFORMATION WHICH IS THE EXCLUSIVE PROPERTY OF SPECTRAVIDEO INTERNATIONAL LTD.

TITLE SVI-802 & SVI-901	VERIFIED BY <u>VICKY YEUNG V.Y.</u> DATE <u>MARCH, 1984</u>
DOCUMENT NO STM-003-D	VERSION NO 1.0 SHEET OF 3

7 6 5 4 3 2 1

E
D
C
B
A



CONFIDENTIAL
 THIS DOCUMENT CONTAINS
 CONFIDENTIAL INFORMATION
 WHICH IS THE EXCLUSIVE
 PROPERTY OF SPECTRAVIDEO
 INTERNATIONAL LIMITED

SVI SPECTRAVIDEO INTERNATIONAL LIMITED		
CONTROLLED ENGINEERING DOCUMENT		
THIS DOCUMENT CONTAINS CONFIDENTIAL INFORMATION WHICH IS THE EXCLUSIVE PROPERTY OF SPECTRAVIDEO INTERNATIONAL LTD.		
TITLE	VERIFIED	
SVI-802 & SVI-901 PCB	BY <u>VICKY YEUNG V.Y.</u>	
	DATE <u>MARCH, 1984</u>	
DOCUMENT NO	VERSION NO	SHEET OF
STM-004-D	1.0	4 OF 4

7 6 5 4 3 2 1