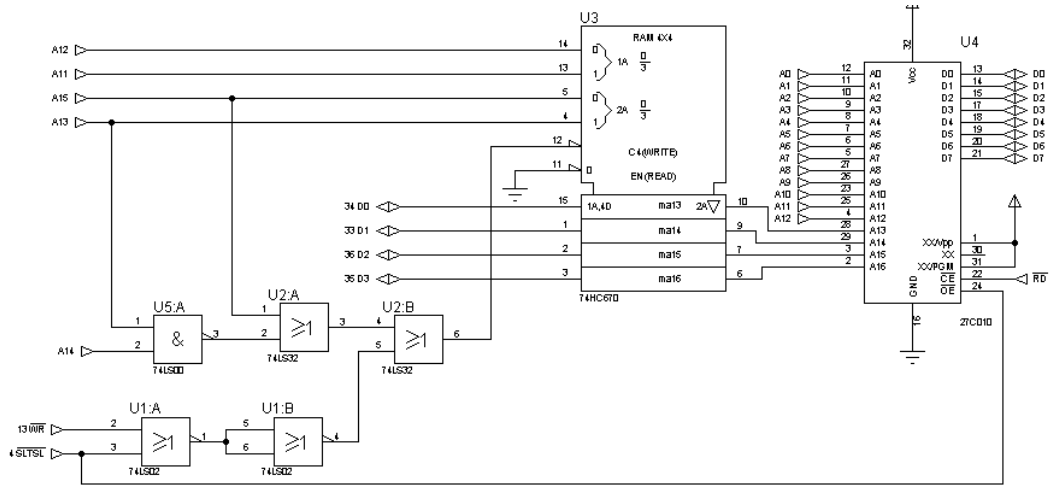


MSX Mapper circuit diagrams, designed by Jean-Pierre Dubois

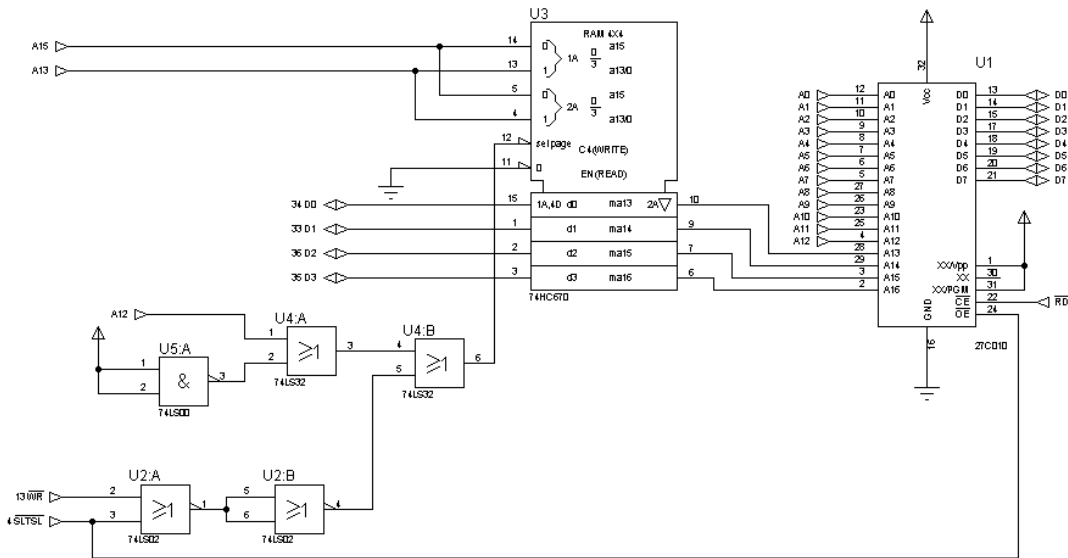
pdf by HansO, 2008

ASCII mapper



Konami mapper

Zemina/Konami mapper addresses 4000 6000 8000 A000



SCC mapper

SCC mapper has addresses 5000 7000 9000 B000

