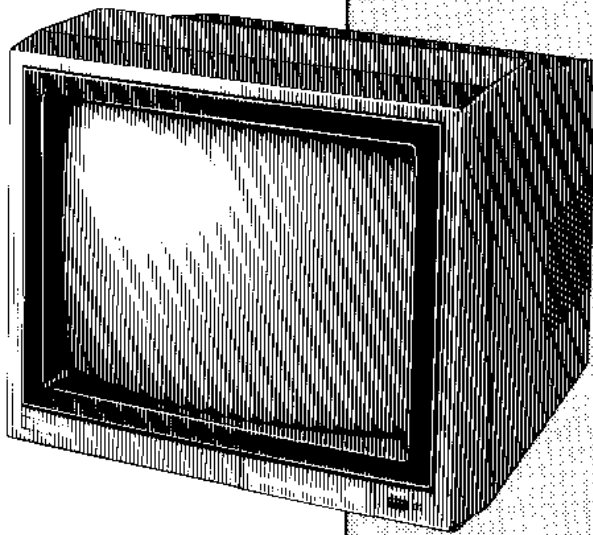


PHILIPS

COMPUTER MONITOR



INSTRUCTION MANUAL
INSTRUKTIONSHANDBUCH
MANUEL D'INSTRUCTIONS
INSTRUKTIEBOEK
MANUALE D'ISTRUZIONE
MANUAL DE INSTRUCCIONES

VS 0040/00

PHILIPS



User manual and Service Manual

Scanned, ocr'ed and converted to PDF by HansO, 2001

Introduction

This monitor is designed for use as an alphanumeric and graphic screen with a

Philips MSX computer. This monitor is of course also suitable for use with every other home or personal computer.

The monitor screen is anti-reflective, thus giving optimal legibility. The monitor is

fitted with a composite video signal input and an audio signal input.

See the technical specifications section for further information.

Connection to the mains supply

Your new monitor is designed to operate from an a.c.mains supply of 220 or 240 volts, 50 Hz. Stabilising circuits ensure satisfactory performance within normal supply variations.

IMPORTANT:

This apparatus must be earthed. This can be achieved by fitting a 3 pin plug.

The wires in the mains lead are coloured according to the following code:

BLUE	NEUTRAL
BROWN	LIVE
GREEN/YELLOW	EARTH

If the mains plug (or adaptor) contains a fuse, the value of this fuse should be 3 Amp. Alternatively, if another type of plug (not fused) is used, the fuse at the distribution board should not be greater than 5 Amp.

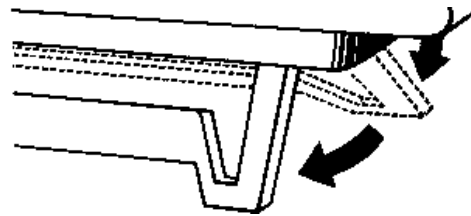
If the colours of the wires in the mains lead do not correspond with the coloured markings identifying the terminals in your plug, proceed as follows ... The BLUE wire should be connected to the

terminal marked 'N' or coloured black. The BROWN wire should be connected to the terminal marked 'L' or coloured red. The GREEN and YELLOW wire must be connected to the terminal in the plug marked by 'E' or the earth symbol 4, or coloured green or green and yellow. Before replacing the plug cover, make certain that the cord grip is clamped over the sheath of the lead - not simply over the three wires.

Positioning/Ventilation

In order to prevent overheating, ensure that the ventilation openings in the monitor are not covered.

The monitor should not be placed near a source of heat.

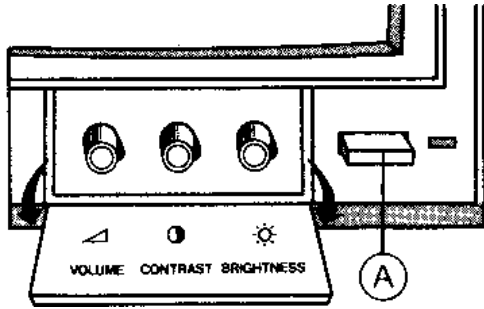


Movable support

You can tilt the monitor into a convenient position with regard to the computer by using the movable support.

Connection to the mains supply

The monitor should be connected to a mains voltage of 220 V/50 Hz (for U.K. 240 V/50 Hz). If your home has a different mains voltage, consult your dealer. When you put the plug into the wall socket, the mains voltage is transformed inside the monitor to a 12 V DC voltage. This is done before you switch the system on with the on/off button



Operation

Switching on

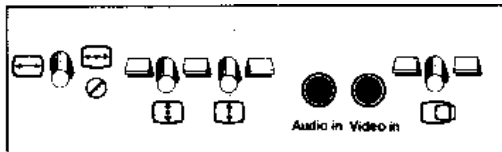
- Press button A (LED lights up).

Picture

- Adjust brightness with knob .
- Adjust contrast with knob N.B. The image has been set correctly when the background is no longer visible and you can only see the characters.

Sound (if available)

Adjust volume with knob



Controls (rear panel)

- Image width can be adjusted with knob
- With the help of a screwdriver control & can be adjusted to straighten the image.
- If the image starts to slip, it can be stabilised with knob
- You can adjust the image height with knob
- You can move the image to the left or the right with knob

Connections (rear panel)

The monitor is fitted with two Phono sockets for audio and video input. A connection cable type AV 7101 0001 is supplied with monitor VS 0040/00.

Using this cable, the Phono socket on the monitor can be connected to the DIN socket on the Philips MSX computer. If you connect your monitor to a different home or personal computer, in most cases it will not be possible to use the connection cable supplied. Connection cables for most types of home and personal computers are available from your dealer.

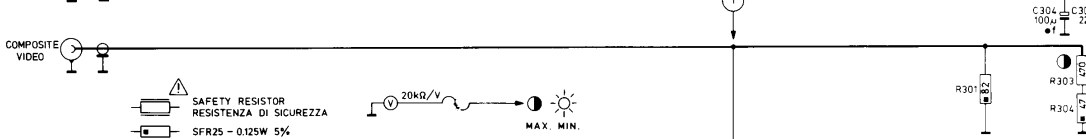
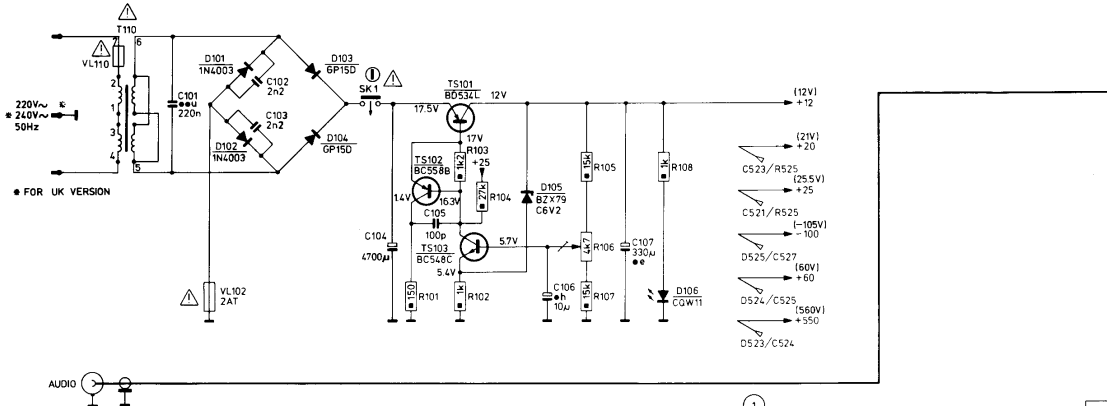
General

- If the picture is not as desired, check whether all controls are in the correct position.
- If there is a bright white line on the screen, switch the monitor off and consult your dealer.
- The rear panel should only be removed by a service technician.
- If necessary, clean with a damp sponge. Do not use alcohol, spirits or ammonia.

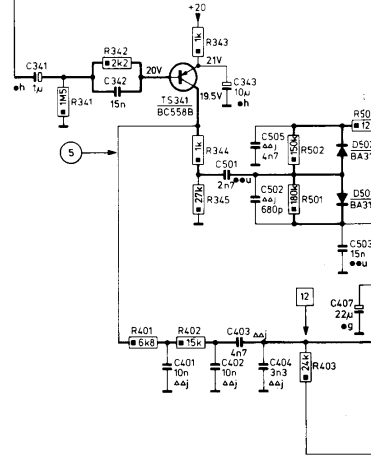
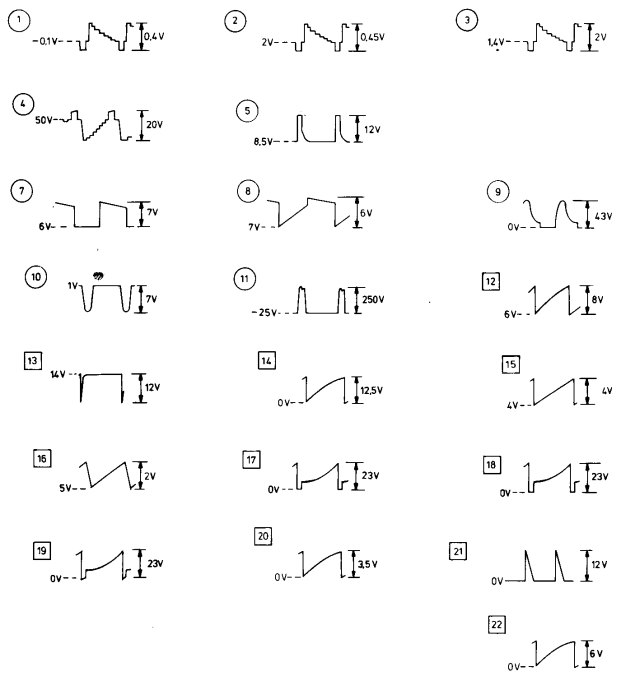
Technical specifications*

Picture tube Type Deflection Phosphor	12 inch, high resolution picture tube with anti-reflecting screen 90° green P42, medium persistence
Monitor input signals 1. Phono plug (video) 2. Phono plug (audio)	composite video signal with negative synchronisation (1 V ± 0,5 Vpp). Impedance 75 Ohm. audio signal (100mV - 2Veff). Impedance 10kOhm.
Video bandwidth	> 20 MHz
Resolution	> 850 lines in centre
Characters	2000 characters (80 characters x 25 lines)
Line frequency	15625 Hz ± 600 Hz
Raster frequency	50/60 Hz
Sound output	0.3 W - 5% distortion
Mains voltage	220 V AC/± 10% (or 240 V AC/± 10% for England)
Power consumption	50W
Dimensions in mm	305 x 303 x 280 (w x d x h)
Weight	6kg

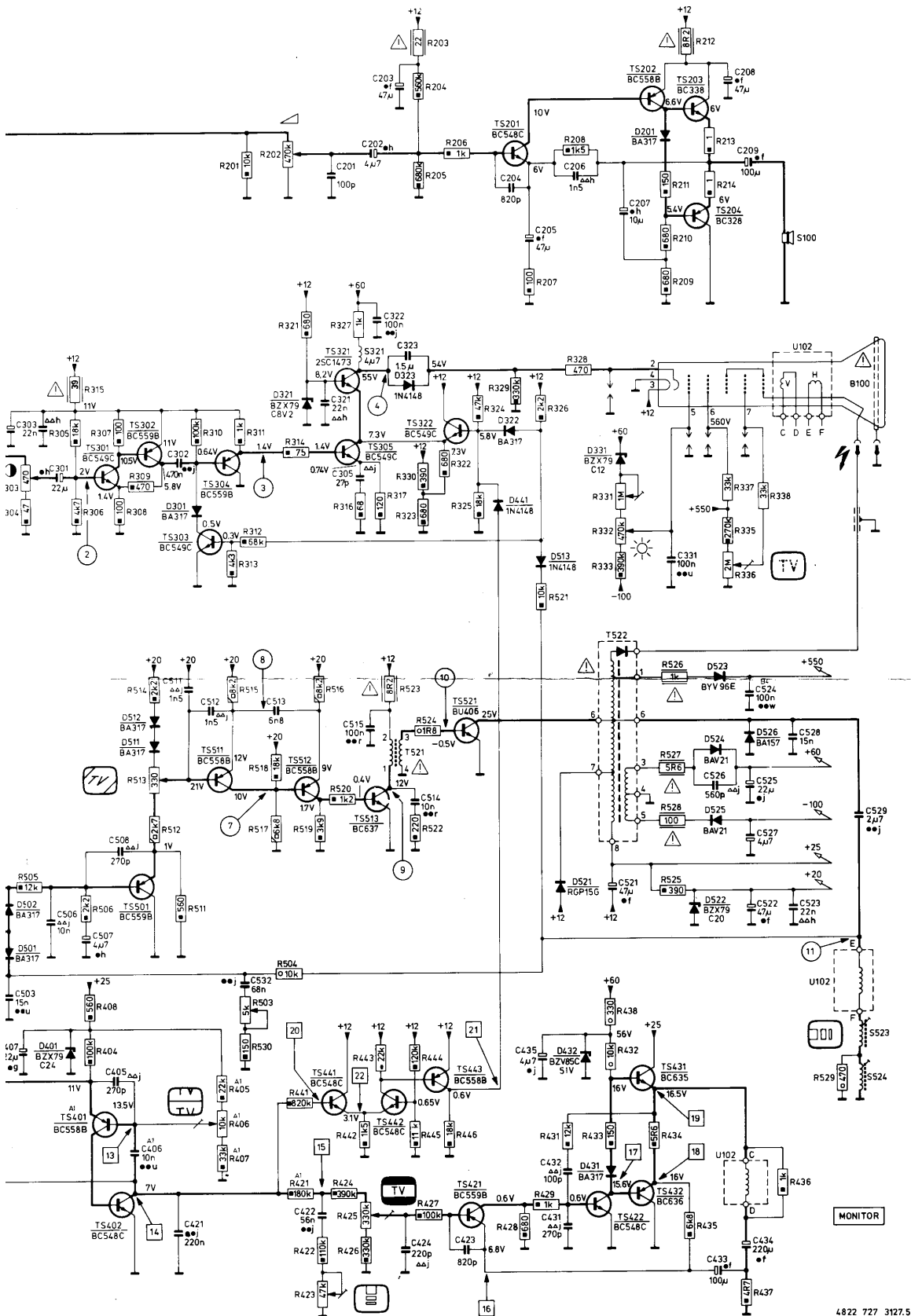
* May be altered without notice.

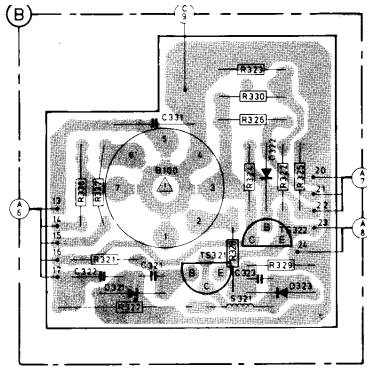


- SAFETY RESISTOR
 RESISTENZA DI SICUREZZA
 SFR25 - 0.125W 5%
 CR37 - 0.25W 5-10%
 CERAMIC - CERAMICO
 FLAT - FOIL - PIATTO
 ELECTROLYTIC
 OSCILLOGRAMMI: (PM5519)
 REGOLARE L USCITA VIDEO S4 0.4Vcc
 CON IL GENERATORE SULLA
 SCALA DEI GRIGI
 MASSIMO
- 20kΩ/V
 MAX. MIN.
 50Hz
 15625Hz
 AC
 DC
 e = 16V
 f = 25V
 h = 63V
 j = 100V
 r = 250V
 w = 600V
- OSCILLOGRAMMI: (PM5519)
 GENERATOR ON GREY SCALE AND
 VIDEO OUTPUT ADJUST ON 0.4Vpp
 MAX.

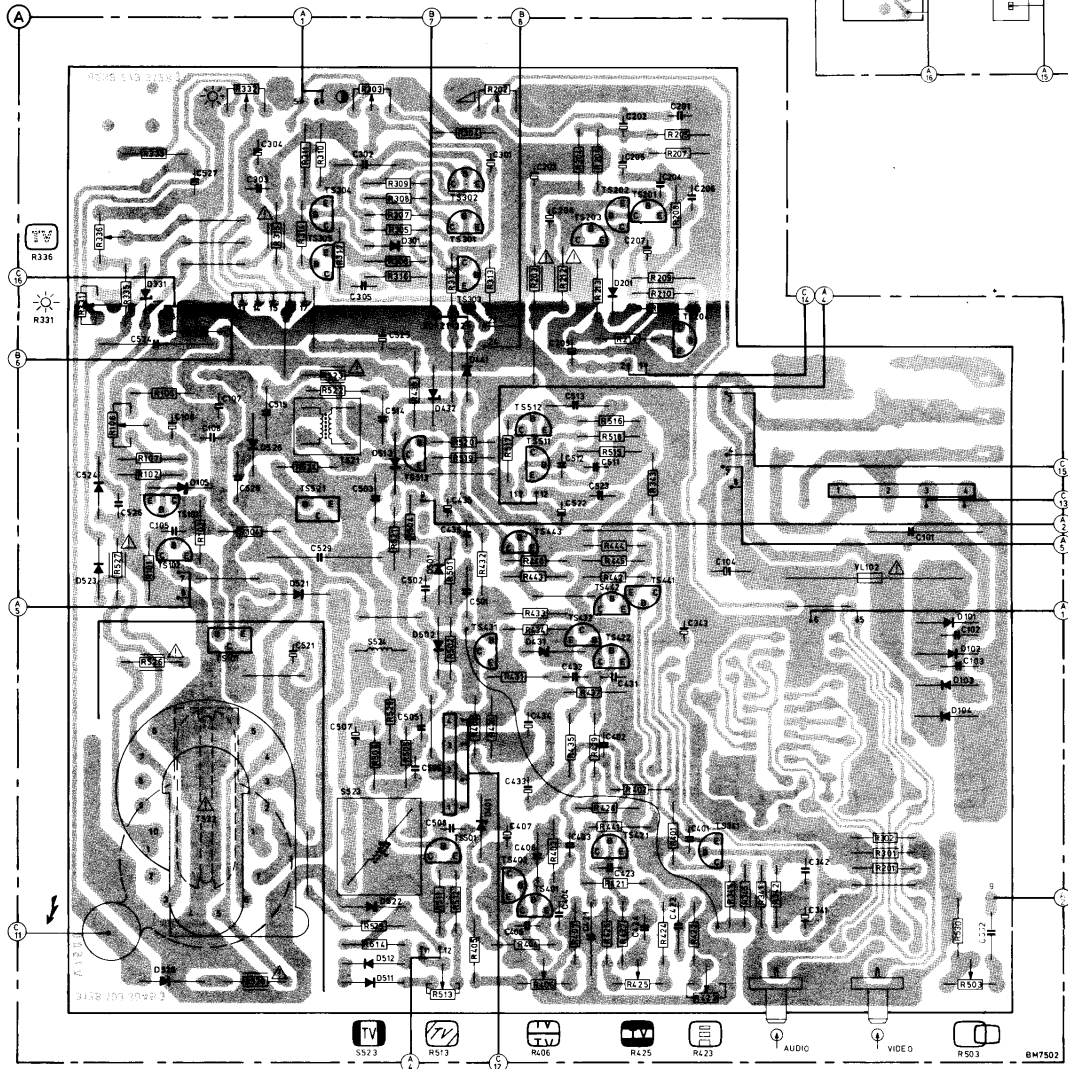
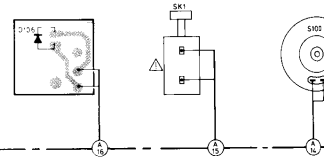
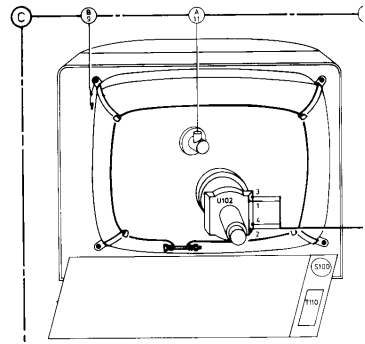


SUBJECT TO MODIFICATION - WIJZIGINGEN VOORBEHOUDEN - SAUF MODIFICATION - ANDERUNGEN VORBEHALTEN - SEGGETTO A MODIFICHE





35732 B4



35732 D2 (602)

